

FOLD DOWN TV SHELF

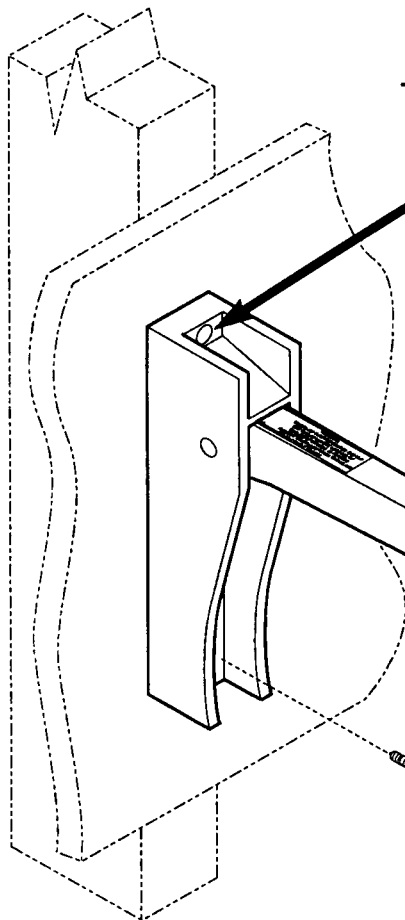
MODEL NO. 10872

Installation and Operating Instructions - Parts Information

TOOLS NEEDED

- Electric hand drill
- Drill bit - 1/8"
- Phillips screwdriver.

INSTALLATION



1. Mount shelf away from stoves, sinks, tubs, etc.

Position bracket on stud that will support 40 lbs.

Use bracket as a guide and mark mounting holes.

2. Drill 1/8" pilot holes.

Fasten bracket to wall with screws.



WARNING

HAZARDOUS LOCATION

Do not mount shelf:

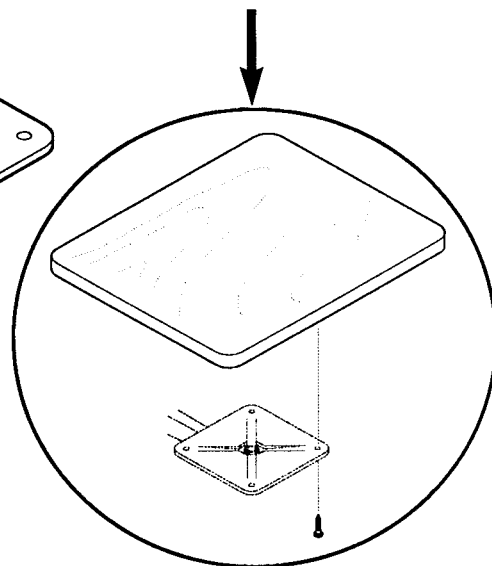
- In areas, where it will be a hazard.
- In doorways or walkways.
- Where people could hit their head on it.

Failure to follow these rules could cause serious injury or death.

3. Fasten tray top to shelf arm with screws.

Do not use shelf without tray top fastened in place.

Note: tray top is sold as a separate item.



OPERATION

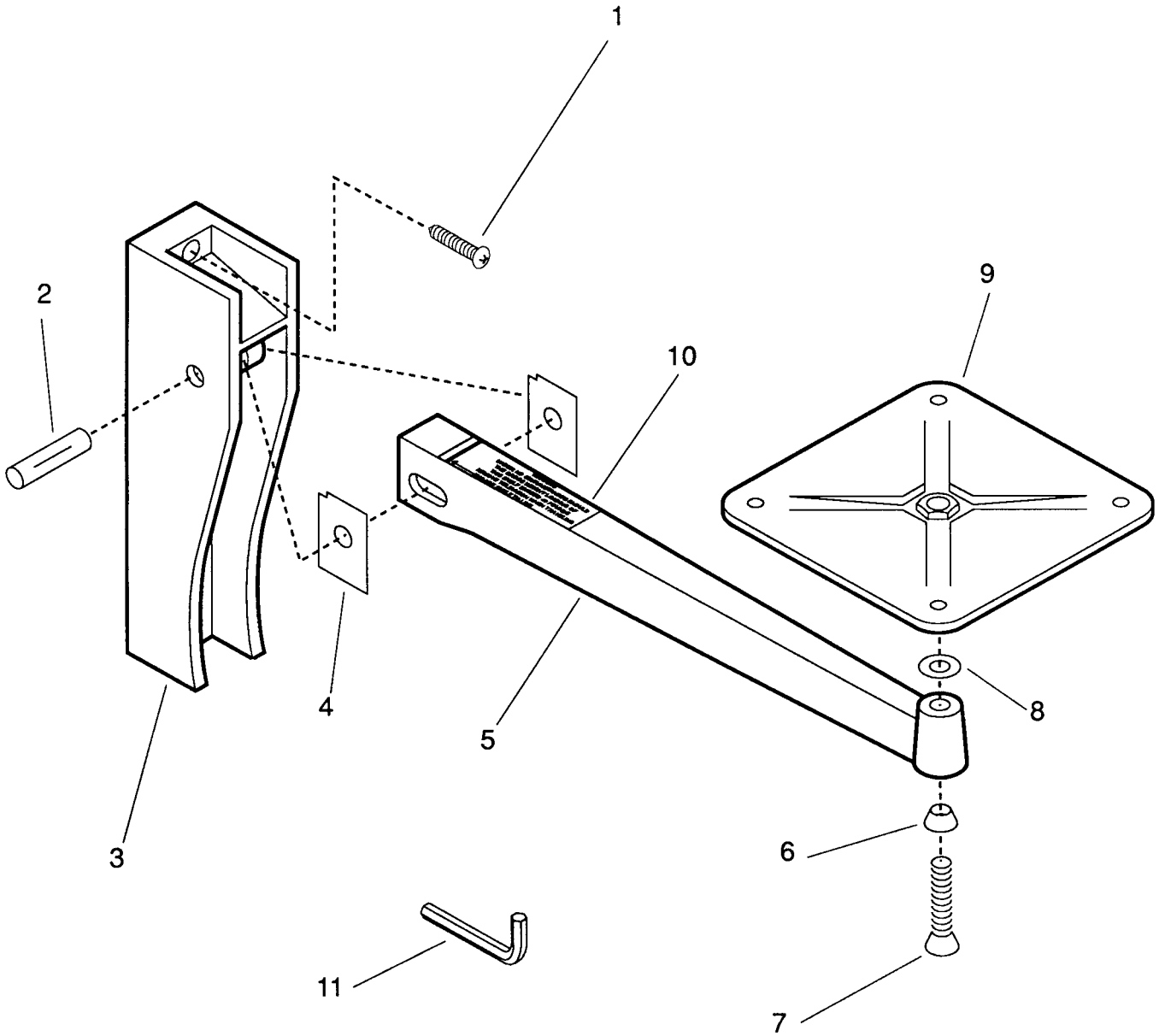
- Raise arm up and push in all the way. (See warning label on shelf)
- TV should be fastened to tray top with "tie-downs" (bolts / clamps).
- TV must be removed from tray top before traveling.

BRAUND

MANUFACTURING COMPANY

DIVISION OF BARKER MFG. CO. / 730 E. MICHIGAN AVE. / P.O. BOX 460 / BATTLE CREEK MI 49016-0460 / (616) 965-2371

PARTS



Item	Part	Req'd	Description
1	605-0004	3	SCREW
2	10873	1	GROOVE PIN
3	10784	1	BRACKET TVS-AFD
4	10978	2	WASHER PLASTIC
5	12342	1	ARM TVS-AFD
6	11454	1	WASHER TVS CONICAL

Item	Part	Req'd	Description
7	601-0013	1	SCREW
8	80233	1	WORM WASHER
9	14767	1	TRAY
10	12764	1	WARNING LABEL
11	80602	1	HEX KEY