

ALL STEEL TV SHELF

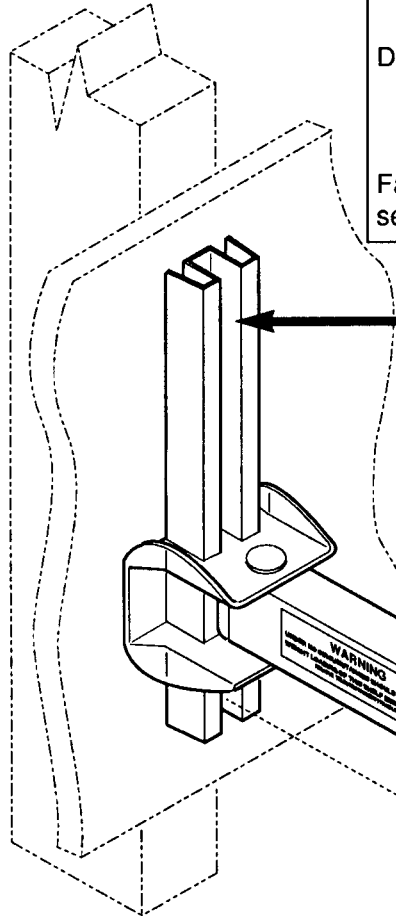
MODEL NO. 14775

Installation and Operating Instructions - Parts Information

TOOLS NEEDED

• Electric hand drill • Drill bit - 1/8" • Phillips screwdriver • Adjustable or 1/2" wrench.

INSTALLATION



⚠ WARNING
HAZARDOUS LOCATION
Do not mount shelf:
• In areas, where it will be a hazard.
• In doorways or walkways.
• Where people could hit their head on it.
Failure to follow these rules could cause serious injury or death.

2. Mount shelf away from stoves, sinks, tubs, etc. Allow room for arm swing.

Position bracket on stud that will support 40 lbs.

Use bracket as a guide and mark mounting holes.

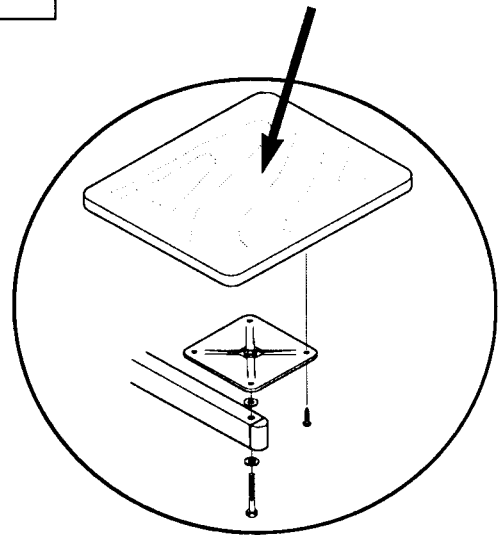
3. Drill 1/8" pilot holes.

Fasten bracket to wall with screws.

1. Fasten tray to arm with nylon washers and hex-head bolt.

Fasten tray top to tray with screws. Do not use shelf without tray top fastened in place.

Note: tray top is sold as a separate item.



OPERATION

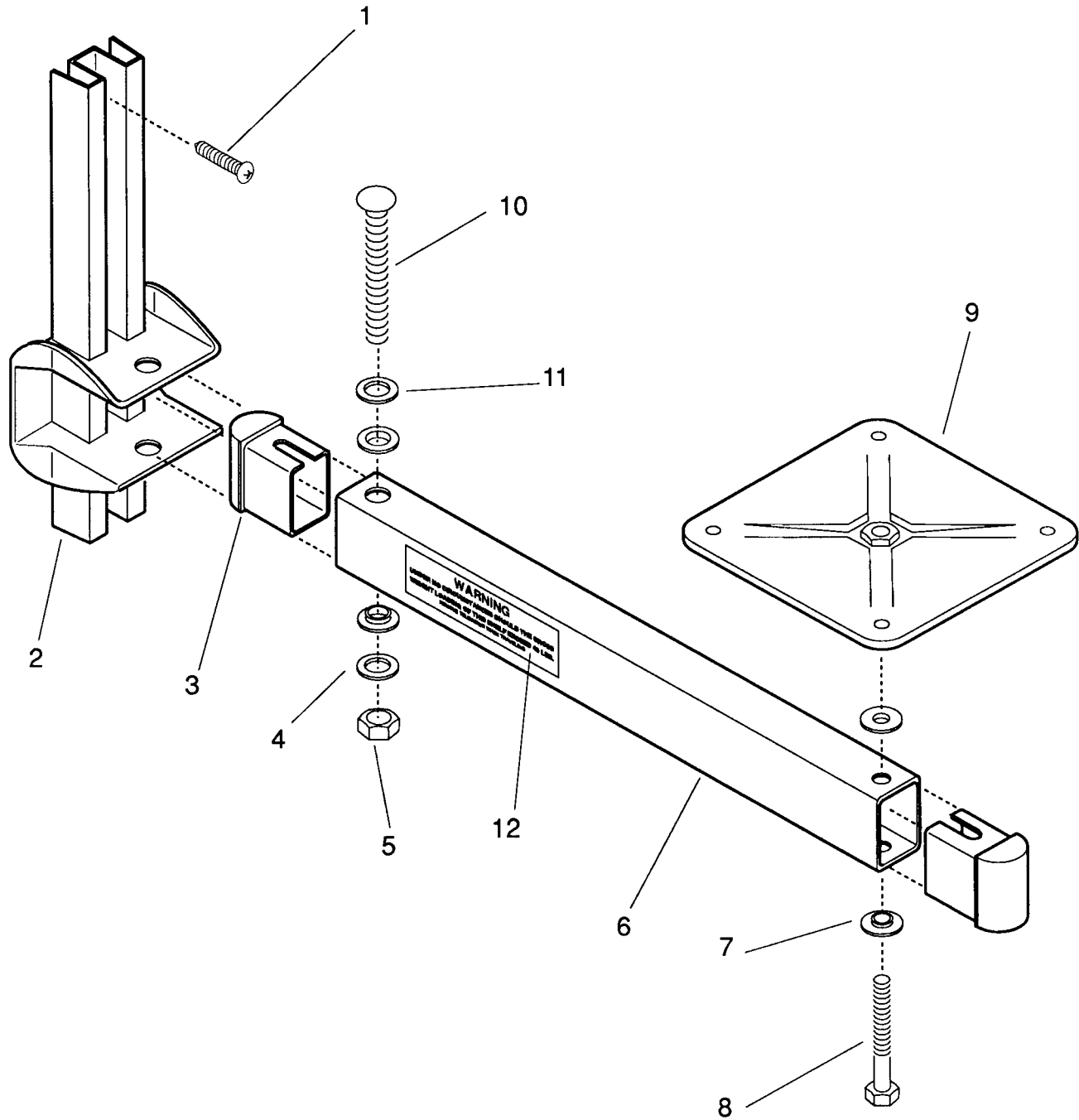
- TV should be fastened to tray top with "tie-downs" (bolts / clamps).
- TV must be removed from tray top before traveling.

BRAUND

MANUFACTURING COMPANY

DIVISION OF BARKER MFG. CO. / 730 E. MICHIGAN AVE. / P.O. BOX 460 / BATTLE CREEK MI 49016-0460 / (616) 965-2371

PARTS



Item	Part	Req'd	Description	Item	Part	Req'd	Description
1	605-5002	4	PHILLIPS SCREW	7	14771	4	NYLON WASHERS
2	14774	1	WALL BRACKET ASSEMBLY	8	600-0016	1	HEX-HEAD BOLT
3	14769	2	END CAP	9	14767	1	TRAY
4	617-0134	1	SMALL STEEL WASHER	10	14770	1	CARRIAGE BOLT
5	611-1423	1	LOCK NUT	11	617-0150	1	LARGE STEEL WASHER
6	14772	1	ARM	12	109981	1	WARNING LABEL